

ENVIRONMENTAL PROTECTION
ZERO WASTE
RECYCLED



ECOBIX 2021
NEW DISPLAY SHELF

 **Ecobox**[®]
www.jxecobox.com

INTRODUCTION

ECOBIX is a comprehensive enterprise with products development, production and sales, which specializes in the production of food containers and display systems for global market. The company is committed to providing high-quality, fashionable, environmental protection personalized display solutions for high-quality food enterprises, stores, supermarkets and boutique chains, and synchronously design a good display, the functional supporting containers and the supporting display equipment.

JIANGXI ECO INDUSTRIAL CO., LTD
JIANGXI ENCO INTELLIGENCE TECHNOLOGY CO., LTD
NANCHANG RENCHUANG SHOWCASE CO., LTD

THE SOLUTION OF SUPERMARKET DISPLAY

Web: <https://www.jxecobox.com/>

Email: info@jxecobox.com

Mobile: +8613766307402

Add: No. 5 Fushan Road South, Xiaolan Economic and Technological Development Zone,
Nanchang, Jiangxi Province, China





THE IRON SHELF

PROVIDE A BETTER USE EXPERIENCE



- THE ASSEMBLY IS CONVENIENT
- LARGE SPACE UTILIZATION
- STABLE CONSTRUCTION
- GOOD USE EXPERIENCE
- CATCHY DESIGN



Width: 104cm
Depth: 69cm
Height: 220.5cm

2206mm



PRODUCT ASSEMBLY



ISLAND
DISPLAY
REVIEW

4 SETS OF CABINETS
+ 4 SETS OF CORNER CABINETS

Ecobox ZLH-002
Gravity bin dispenser

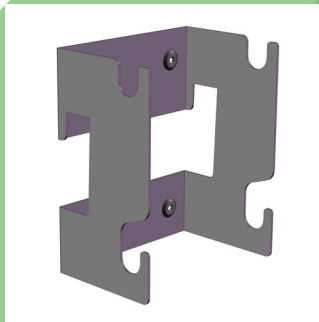
Ecobox SPH-002
Scoop bin



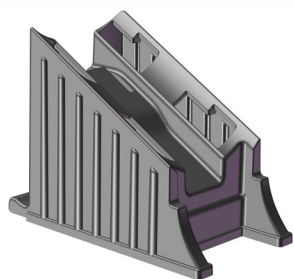


GRAVITY DISPENSER

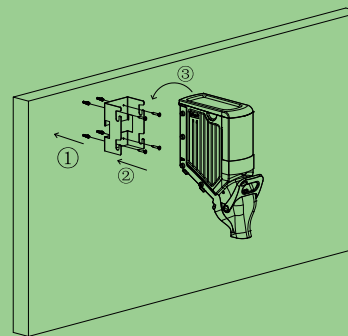
YOUR BEST PRESENTATION AND DISPLAY



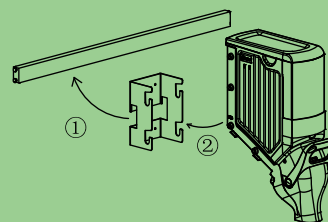
Available with a base for shelf mounting or a hook for wall mounting



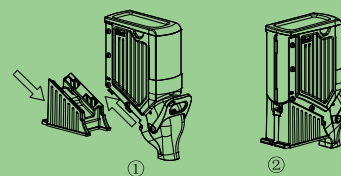
PRODUCT ASSEMBLY



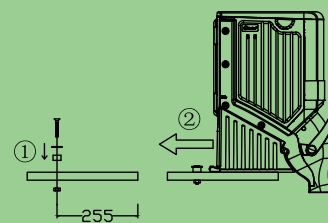
- ① Dig hole according to the size of the hook holes;
- ② Fix the hook by screws;
- ③ Place gravity bin in right position;



- ① Place the hook onto the crossbar;
- ② Fix the gravity bin onto the hook;



- ① Assemble the base to the gravity bin;
- ② Make sure the bottom of base is properly installed;



- ① Fix the screw onto the table;
- ② Push the gravity bin to the back and fix it by the screw;

GRAVITY DISPENSER



ZLH-001

Capacity : 19Litres
Width: 15cm
Depth: 35cm
Height : 71cm
Available with: Hook/Base



ZLH-002

Capacity : 13Litres
Width: 15cm
Depth: 35cm
Height : 57cm
Available with: Hook/Base



ZLH-003

Capacity : 8Litres
Width: 15cm
Depth: 35cm
Height : 43.5cm
Available with: Hook/Base

ZLH-004

Capacity : 6Litres
Width: 10cm
Depth: 35cm
Height : 46cm
Available with: Hook/Base



ZLH-005

Capacity : 10Litres
Width: 10cm
Depth: 35cm
Height : 57cm
Available with: Hook/Base



ZLH-006

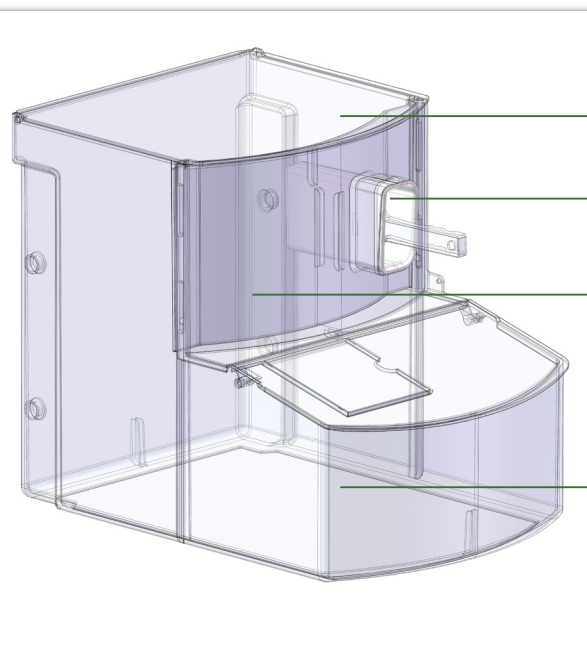
Capacity : 13Litres
Width: 10cm
Depth: 35cm
Height : 71cm
Available with: Hook/Base





SCOOP BIN

YOUR BEST PRESENTATION AND DISPLAY



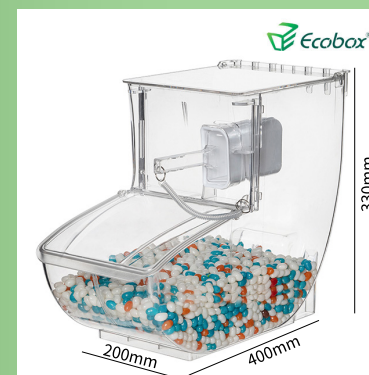
- First-in-first out stock rotation
- Each dispenser comes with a scoop holder, scoop and tether
- False front to give appearance of full dispenser for an attractive display
- Perfect for hard to flow products that are not suited to gravity bins (e.g. powders, sticky products), high volume products and more

Most price competitive scoop dispensers on the market



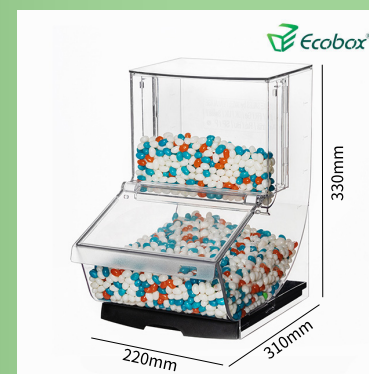
SPH-001

Capacity : 22Litres
Width: 30cm
Depth: 42cm
Height : 35cm



SPH-002

Capacity : 13Litres
Width: 20cm
Depth: 40cm
Height : 33cm



SPH-004

Capacity : 10Litres
Width: 22cm
Depth: 31cm
Height : 33cm